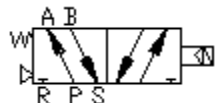



STC Solenoid and Pneumatic Directional Control Valve: 4V210B-310B Series Specifications

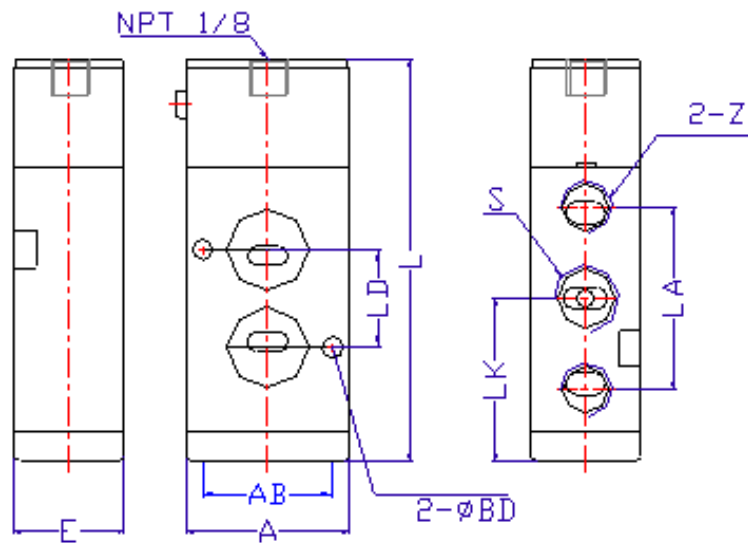


UNIT=MM)

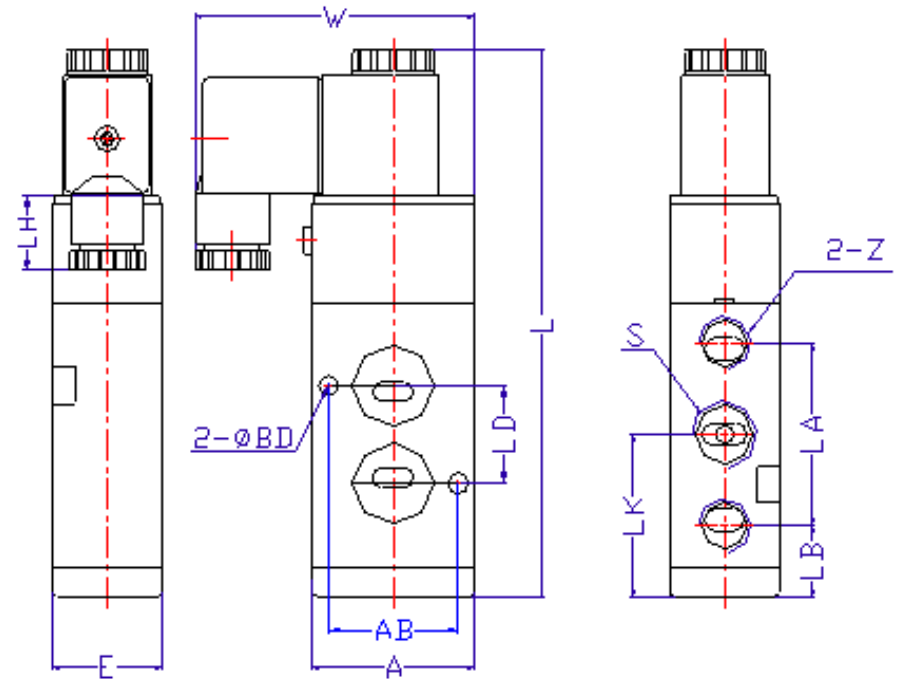
Specifications	
Port & Mounting	Body Ported,
Action & Motion	Pilot Operated, Spool Design, Two Position, 4 Way, 5 Body Ported Solenoid Valve
Operating Pressure	21 to 115 PSI
Working Medium	40 MICRON FILTERED AIR
Operating Temperature	(-10 to 60 Deg. C) with non-freezing medium
Coil Insulation & Protection Class	F Class, IP65 (CE Certification)
Coil Power, Duty Cycle	3 or 4.8 Watts, 100% ED
Electrical Connection	D = DIN 43650B (with LED indicator, conduit terminal) G = Grommet (12" Lead Wire)
Body Material	ALUMINUM
Seal Material	NBR
Armature Tube	BRASS
Plunger & Spring	Stainless steel
Lubrication	Not Required

Part No.	Unit Price	Valve Picture	Port Size (NPT)	Voltage Options	Electrical Entry Options	Port No/ Position/Solenoid	Cv Flow Rate	Response Time	Power Consumption
4V210B-1/4	\$30.67		1/4 (Inlet) 1/4 (Exhaust)	1 =12VDC 2 =24VDC	G=Grommet	5/2/1 Actuator Mount Four Way Valve	Cv = 0.89 53 SCFM @100 PSI	< 20 ms	3W/4.8W
4V310B-1/4	\$39.50		1/4 (Inlet) 1/4 (Exhaust Namur)	2A =24VAC 3 =110VAC 4 =220VAC (50/60Hz)	D= DIN (with LED)		Cv = 1.68 80 SCFM @100 PSI		
4V310B-3/8	\$39.50		3/8 (Inlet) 1/4 (Exhaust Namur)	E=Explosion Proof Coil (\$90.09/coil)	1.68 80 SCFM @100 PSI				

MODEL: 4A210B/310B



MODEL: 4V210B/310B



Model	A	E	L	S	W	Z	AB	BD	LA	LB	LD	LH	LK
4V210-1/4B	35	22	116.5	1/4	66.5	1/8	29	4.3	36	13.5	23	18	32.5
4V310-1/4B	40	27	134.5	1/4	69	1/4	32	5.5	45	17.5	24	18	40
4V310-3/8B	40	27	134.5	3/8	69	1/4	32	5.5	45	17.5	24	18	40